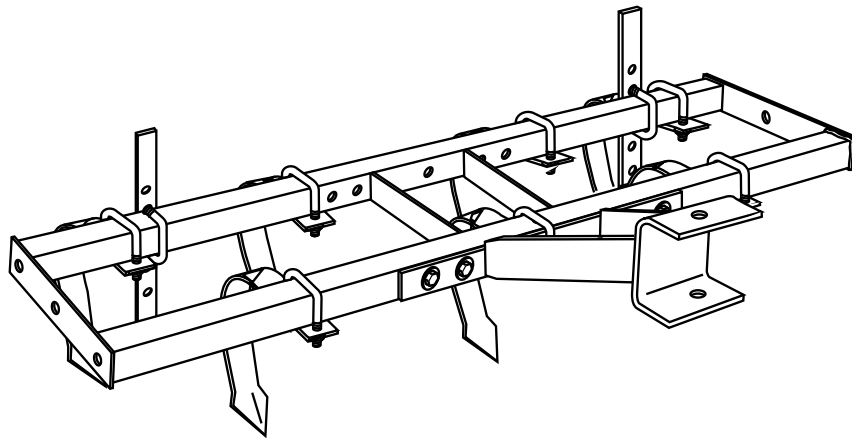


Owner's Manual

CRAFTSMAN[®]

ROW CROP CULTIVATOR

Model No. 486.242051



CAUTION:

Before using this product, read this manual and follow all Safety Rules and Operating Instructions.

- Safety
- Assembly
- Operation
- Maintenance
- Parts

IMPORTANT - READ THIS FIRST!!!

For Missing Parts or Assembly Questions

Please Call 866-576-8388

Mon.-Fri. 7 am - 5 pm CST.

FAX 217-728-2032 or e-mail info@agri-fab.com

Missing parts will be sent UPS in 24 hours directly to your home.

Sears, Roebuck and Co., Hoffman Estates, IL 60179 U.S.A.

www.sears.com/craftsman

PRINTED IN U.S.A.

FORM NO. 48337 (7/04)

TABLE OF CONTENTS

Safety Rules.....	2	Maintenance	4
Warranty	2	Storage	4
Full Size Hardware Chart.....	3	Repair Parts Illustration	5
Assembly	4	Repair Parts List	5
Operation	4	Parts Ordering/Service	Back Cover

WARRANTY

LIMITED ONE YEAR WARRANTY ON CRAFTSMAN CULTIVATOR

For one year from the date of purchase, when this row crop cultivator is maintained and lubricated according to the operating and maintenance instructions in the owner's manual, Sears will repair any defect in material or workmanship free of charge. If this row crop cultivator is used for commercial or rental purposes, this warranty applies for only 90 days from the date of purchase.

This warranty does not cover repairs necessary because of operator negligence or abuse, including the failure to maintain the equipment according to instructions contained in the owner's manual.

WARRANTY SERVICE IS AVAILABLE BY CONTACTING THE NEAREST SEARS SERVICE CENTER/DEPARTMENT IN THE UNITED STATES.

This warranty applies only while this product is in the United States.

This warranty gives you specific legal rights, and you may also have other rights which vary from state to state. Sears, Roebuck and Co. D/817 WA. Hoffman Estates, Chicago, IL 60179



SAFETY



Any power equipment can cause injury if operated improperly or if the user does not understand how to operate the equipment. Exercise caution at all times, when using power equipment.

- Read this owners manual and your vehicle and sleeve hitch owners manuals before using this equipment.
 - Do not allow children to operate vehicle or cultivator.
 - Do not allow adults to operate vehicle or cultivator without proper instructions.
 - Do not allow anyone to ride on the cultivator.
 - Before lowering and operating the cultivator, be sure no one is near the area of operation.
 - Lower cultivator when leaving vehicle unattended.
- Vehicle braking and stability may be affected with the attachment of this equipment. Drive slowly with cultivator in transport position. **Stay off of steep slopes.**
 - Stop and inspect for damage after striking an object. Repair any damage before continuing operation.
 - Keep all nuts and bolts tight and be sure that the equipment is in safe operating condition.
 - Lock tractor lift handle in down position when attaching or removing cultivator from sleeve hitch.



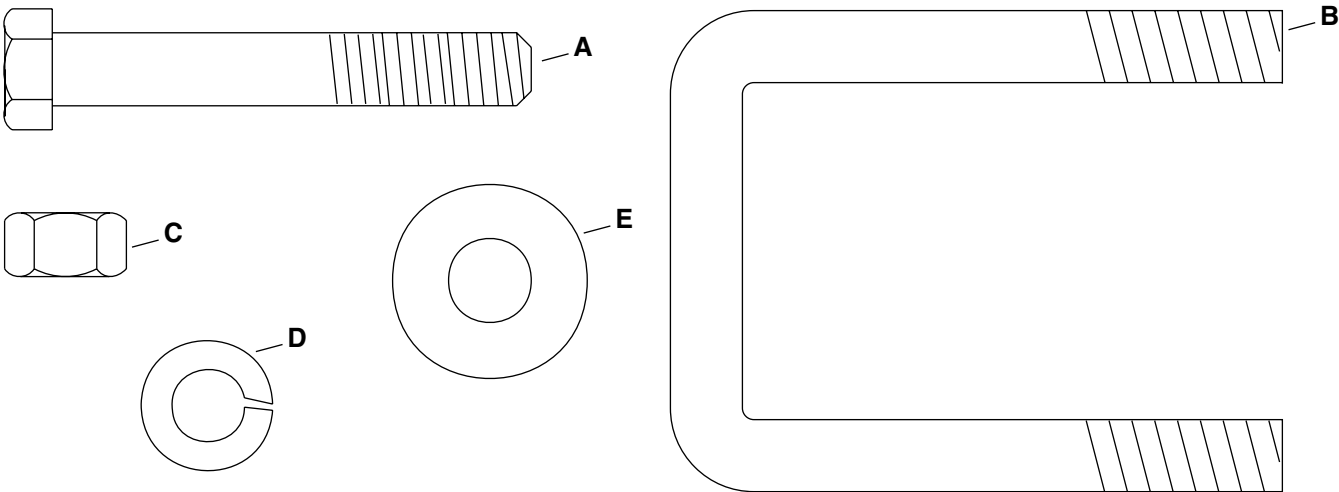
Look for this symbol to point out important safety precautions. It means--**Attention!! Become alert!!** Your safety is involved.

The model and serial numbers will be found on a decal attached to the
 You should record both the serial number and the date of purchase and keep in a safe place for future reference.

MODEL NUMBER:	486.242051
SERIAL NUMBER:	_____
DATE OF PURCHASE:	_____

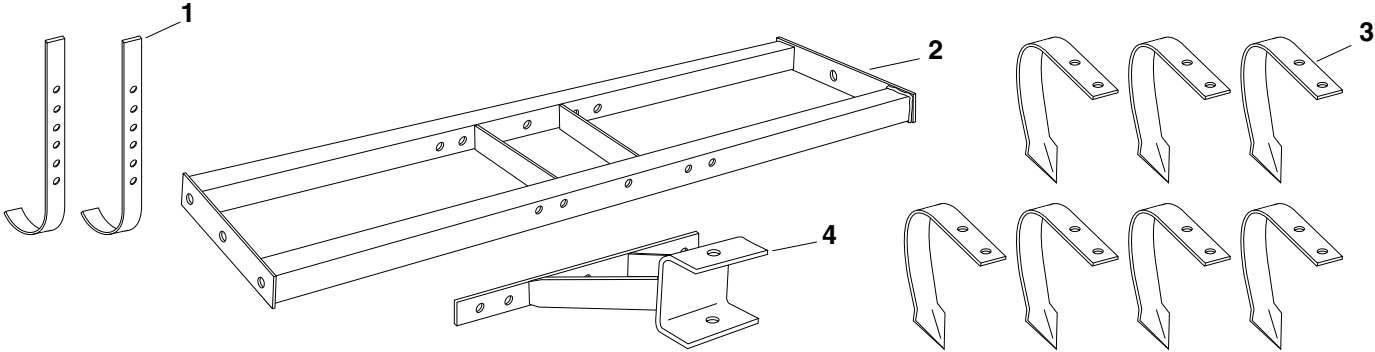
HARDWARE PACKAGE CONTENTS

FULL SIZE HARDWARE CHART



□

REF. NO.	QTY.	DESCRIPTION
A	5	Hex Bolt, 3/8-16 x 2-1/2" Lg.
B	9	U-Bolt, 3/8-16 Thread
C	23	Hex Nut, 3/8-16 Thread
D	10	Flat Washer, 3/8" Std. Wrt.
E	23	Lock Washer, 3/8"



CARTON CONTENTS

- 1. Depth Gauge Bar (2)
- 2. Frame Assembly
- 3. Cultivator Tang (7)
- 4. Hitch Assembly

ASSEMBLY

TOOLS REQUIRED FOR ASSEMBLY

(2) 9/16" Wrenches

Refer to the illustration on page 5 and the full size hardware chart on page 3. Be sure to place a 3/8" flat washer under any bolt head or lock washer which otherwise would tighten down directly against a frame tube or the hitch assembly.

- Attach the hitch assembly to the frame using five 3/8" x 2-1/2" hex bolts, ten 3/8" flat washers, five 3/8" lock washers and five 3/8" hex nuts. **Tighten.**
- Assemble seven cultivator tangs to the frame tubes using seven U-bolts with fourteen 3/8" lock washers and 3/8" hex nuts. The alignment of rear tangs should be offset from front tangs. **Tighten.**

NOTE: The arrangement and the number of tangs can vary as long as the balance of the cultivator is maintained.

- Assemble the depth gauge bars to the rear of the frame using two U-bolts with four 3/8" lock washers and 3/8" hex nuts. Attach each bar using the set of holes on the bar that will provide the desired depth of tang penetration. **Tighten.**

NOTE: For effective depth control do not position a depth gauge bar directly behind a front tang.

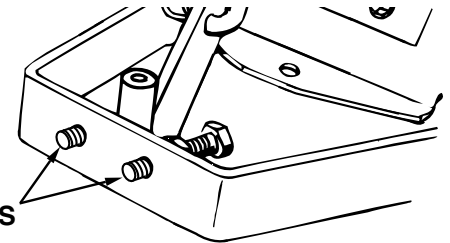
ATTACHING CULTIVATOR TO TRACTOR



CAUTION: Lock the tractor lift handle in down position when attaching or removing the cultivator from the sleeve hitch.

Refer to your sleeve hitch owners manual.

- Attach the cultivator to the sleeve hitch on your tractor using the sleeve hitch pin.
- Tighten the two stabilizer bolts and jam nuts to eliminate looseness in the hookup.
- Adjust the sleeve hitch so that the cultivator is free to go below ground level but can still be raised an adequate distance above ground for transport.
- Loosen the stabilizer bolts and jam nuts before removing the cultivator from the sleeve hitch.



TRACTOR SLEEVE HITCH

OPERATION

The cultivator may be used for breaking up compacted soil, for working loose soil and for cultivating between crop rows. For improved traction use wheel weights and/or tire chains.

- Drive at a slow speed when cultivating soil.
- Adjust or remove cultivator tangs as needed for working between rows.
- Adjust working depth of tangs by raising or lowering the depth gauge bars. Select the appropriate set of adjusting holes for conditions.
- Up to 100 lbs. of concrete blocks or other weight may be strapped or tied to the cultivator frame to improve tang penetration. The cultivator should be attached to the tractor's sleeve hitch (in down position) before adding weight.
- Do not back up when cultivator is engaged in soil.

MAINTENANCE/STORAGE

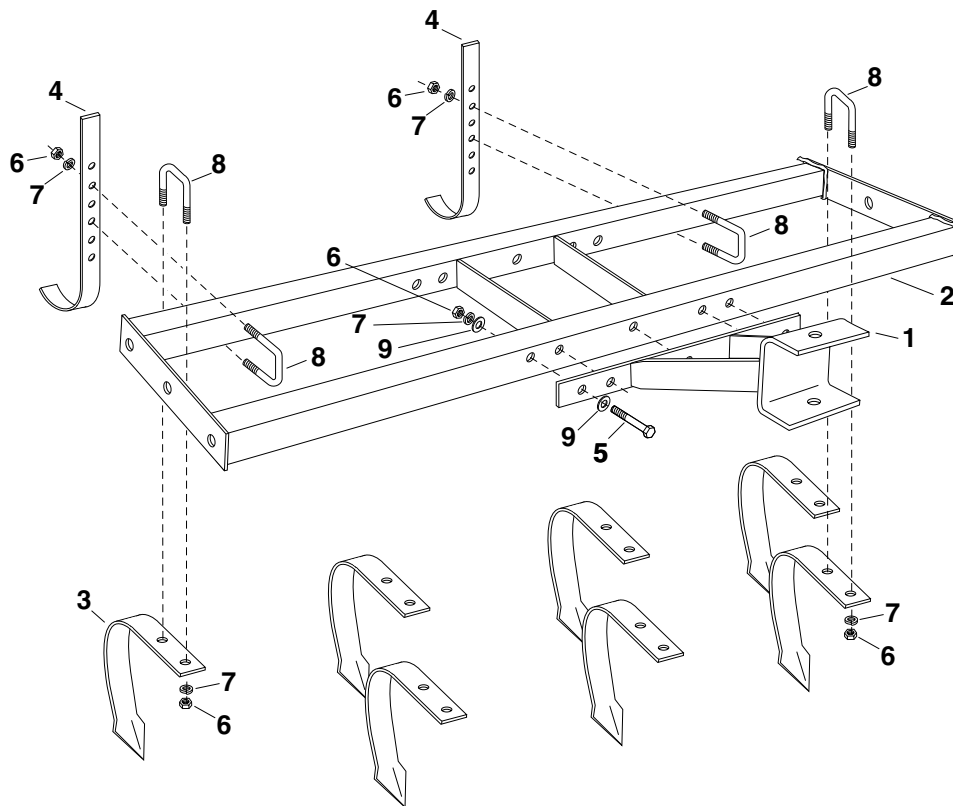
CUSTOMER RESPONSIBILITIES

Read and follow the procedures listed in this section.

- Check for loose bolts after each use.
- Clean the tangs after each use and lightly oil any exposed metal.
- Remove all dirt and rust and touch up with paint before storing.
- Store inside a dry area.

PARTS

REPAIR PARTS FOR MODEL 486.242051



REF. NO.	PART NO.	QTY.	DESCRIPTION	REF. NO.	PART NO.	QTY.	DESCRIPTION
1	63656	1	Hitch Ass'y.	5	43432	5	Hex Bolt, 3/8-16 x 2-1/2" Lg.
2	64279	1	Frame Assembly	6	43015	23	Hex Nut, 3/8-16 Thread
3	43022	7	Cultivator Tang	7	43003	23	Lock Washer, 3/8"
4	24238	2	Depth Gauge Bar	8	46853	9	U-Bolt, 3/8-16 Thread
				9	43070	10	Flat Washer, 3/8" Std. Wrt.
					48337	1	Owners Manual

NOTES

NOTES

Get it fixed, at your home or ours!

For repair of major brand appliances **in your own home...**
no matter who made it, no matter who sold it!

1-800-4-MY-HOMESM Anytime, day or night
(1-800-469-4663)

www.sears.com

To bring in products such as vacuums, lawn equipment and electronics
for repair, call for the location of your nearest **Sears Parts & Repair Center.**

1-800-488-1222 Anytime, day or night

www.sears.com

For the replacement parts, accessories and owner's manuals
that you need to do-it-yourself, call **Sears PartsDirectSM!**

1-800-366-PART 6 a.m. – 11 p.m. CST,
(1-800-366-7278) 7 days a week

www.sears.com/partsdirect

To purchase or inquire about a Sears Service Agreement:

1-800-827-6655

7 a.m. – 5 p.m. CST, Mon. – Sat.

Para pedir servicio de reparación a domicilio,
y para ordenar piezas con entrega a domicilio:

1-888-SU-HOGARSM
(1-888-784-6427)

Au Canada pour service en français:

1-877-LE-FOYERSM
(1-877-533-6937)

